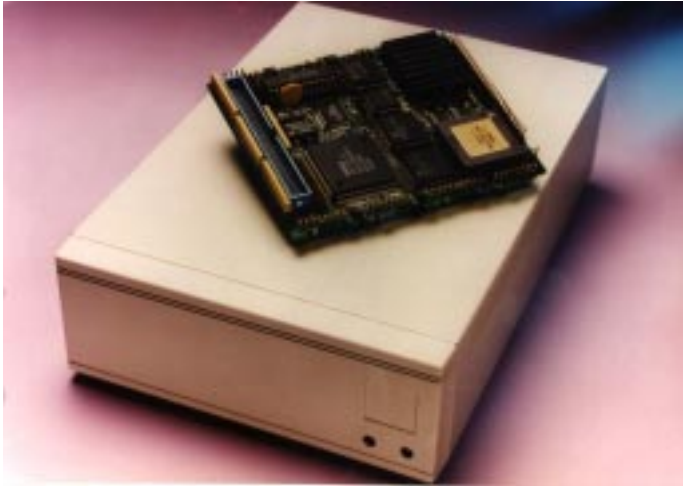


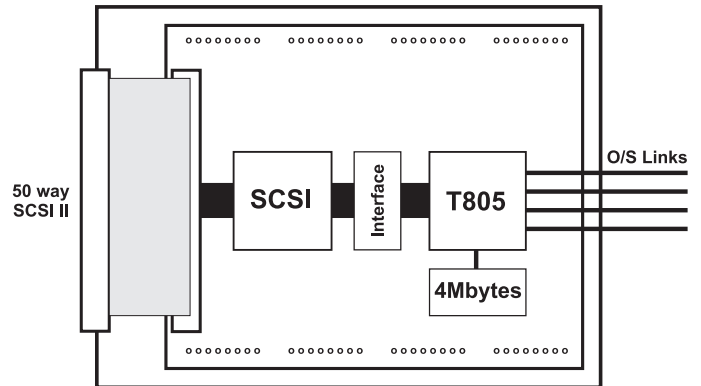
Matchbox SCSI-II Host Interface for Transputer Networks



The Matchbox is a small self contained unit allowing up to 4 separate transputer systems to be connected to a UNIX workstation via a SCSI port.

Transtech supplies the Matchbox with a device driver to support the Solaris 2.x operating system running on a SPARC based host. In addition Transtech has modified the SGS Thomson iserver, aserver and network test utilities to run under Solaris 2.x.

The comprehensive manual allows developers to integrate the Matchbox with other host workstations and operating systems.



- ❖ **Multi-user transputer to host interface**
- ❖ **Plugs directly into SCSI-2 port**
- ❖ **Self contained (PSU and cooling) unit**
- ❖ **Solaris 2.x device driver**

ORDERING INFORMATION

Matchbox

CABLE ASSEMBLIES

Supplied with a SCSI cable to interface to Sun SPARCstation, SCSI terminator, a link and reset breakout board and standard SGS Thomson style link and reset cables